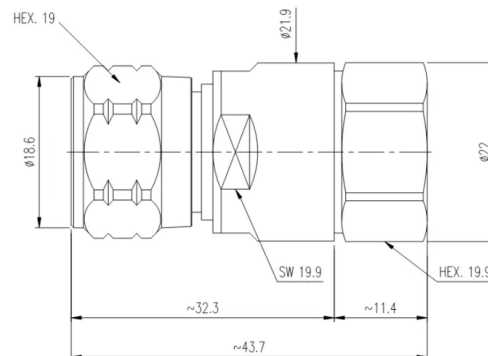
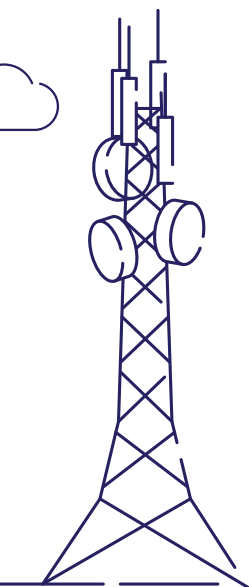




RF Connectors

HS-N-P-12D-A

N type 1/2" Feeder Cable Connector
600~6000MHz



Unit : mm



Electricals	Frequency range	600~6000MHz
	VSWR	≤ 1.13 @ 600~2700MHz, ≤ 1.25 @ 2700~6000MHz,
	PIMD	≤-153dBc@2x43dBm(698~2700MHz)
Environmental	Impedance	50Ω
	Operating temp.	-30 C~ 80 C
	Relative humidity	5% ~ 95%
Mechanicals	Application	Indoor or Outdoor(IP68)
	Cable Size	1/2"
	Cable Type	Feeder
	Mating Interface	N type
	Sealing Method	Silicone O-ring
	Gender	Male
	Plating outer conductor	ThreeMaterial Alloy(Cu-Zn-Sn) / Ni
	Plating center conductor	Silver

